

# ELECTRICAL AZIMUTH THRUSTER

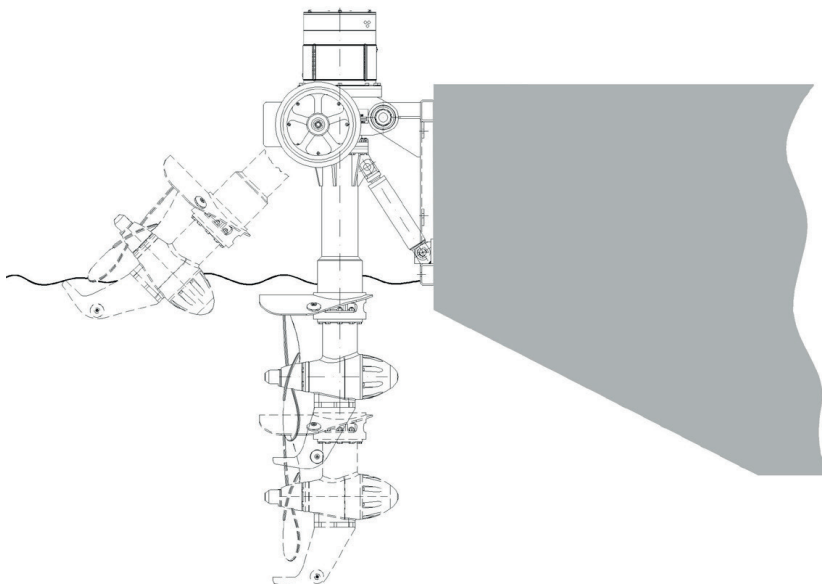
## GPE SERIES

**ITD**  
**PROPULSION**



**D**  
**ITALDRAGHE**  
GROUP

ITALDRAGHE with its 50-year experience in design and manufacturing of propulsion systems has launched the new ITD PROPULSION division fully dedicated not only to traditional mechanical and hydraulic thrusters but also to a brand new ECO-GREEN PROPULSION LINE including full azimuth thrusters suitable for a wide range of vessels, aimed at satisfying the fast-changing market demands especially in terms of efficiency, zero-emissions, sustainability and reliability.



- ✓ Wide performance range from 25kW to 500kW
- ✓ Applicable on all types of vessels
- ✓ Low in maintenance for highest availability
- ✓ 360° steering for maximum manoeuvrability
- ✓ 40°+40° steering by means of a hydraulic jack
- ✓ Depth regulation to adapt to all river beds and sea beds
- ✓ Trim for easy maintenance
- ✓ Remote control system
- ✓ Extremely low-noise system

GPE – Electrical azimuth thruster:

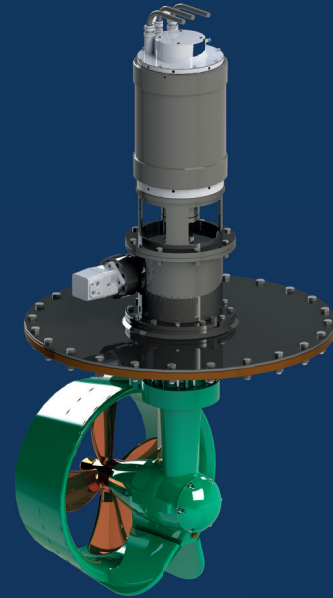
Model	Unit	GPE 25	GPE 75	GPE 100	GPE 200	GPE 300	GPE 400
*Power	Kw	25	75	100	200	260	500
Input speed	rpm	3000	3000	3000	3000	2300	2200
**Propeller diameter	mm	320	550	660	850	960	1300
Steering range	/	-	360°	360°	360°	360°	360°
Steering range	/	40°+ 40°	40°+ 40°	40°+ 40°	40°+ 40°	40°+ 40°	40°+ 40°

\*Rating subject to classification and application

\*\*Diameters may vary depending on particular applications



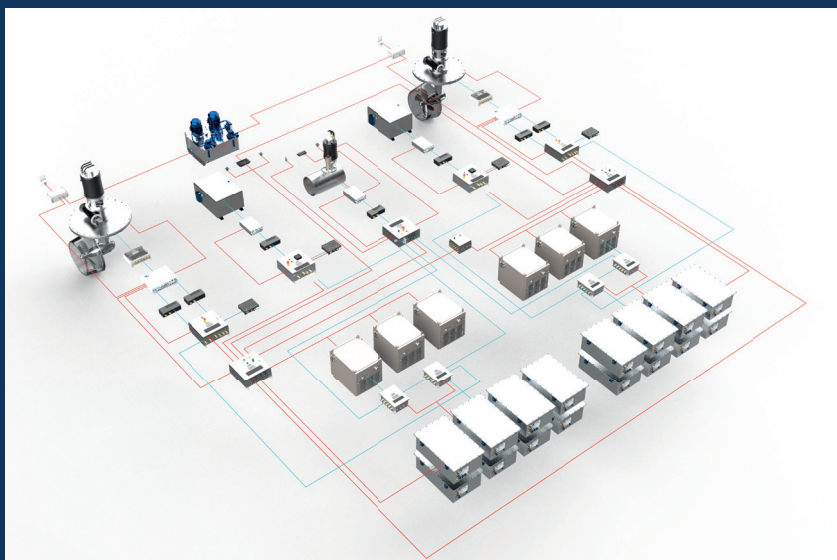
ELECTRICAL DECK-MOUNTED AZIMUTH THRUSTER



ELECTRICAL WELL-MOUNTED AZIMUTH THRUSTER

### MAIN CHARACTERISTICS - BENEFITS

- Highest efficiency and reliability
- Maximum manoeuvrability
- Compatible with any type of vessels
- Zero-emission
- Low cost operation
- Self-contained propulsion package
- Reduced installation space
- Easy maintenance
- Spare parts available from stock
- Management quality systems are accredited to ISO 9001:2015



The ITD PROPULSION electrical azimuth thrusters are part of the new Propulsion Line and are suitable for a wide range of professional vessels with a performance range of 25kW to 500kW.

Via Malpasso, 1389 - San Giovanni in Marignano, 47842 (RN) - Italy  
tel. +39 0541 955181 - mob. +39 335 7019671

[www.itdpropulsion.it](http://www.itdpropulsion.it) - [www.italdraghe.it](http://www.italdraghe.it)  
[info@italdraghe.it](mailto:info@italdraghe.it)

